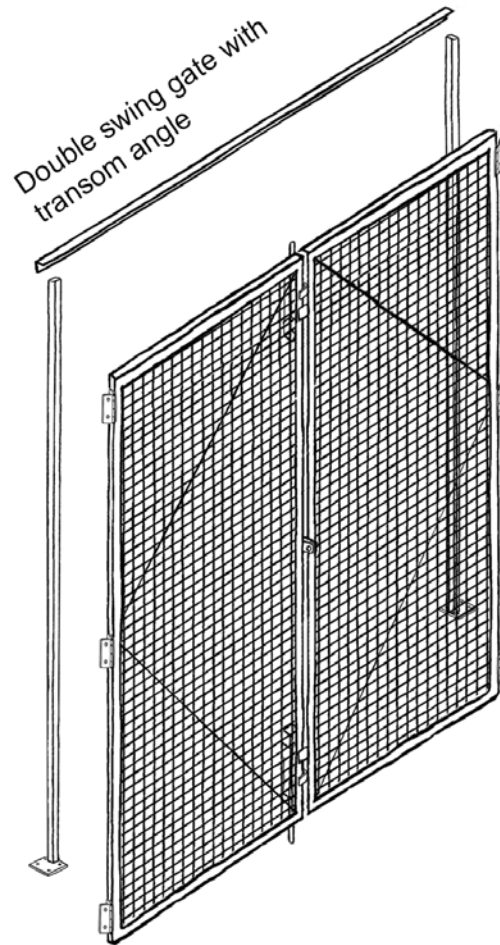
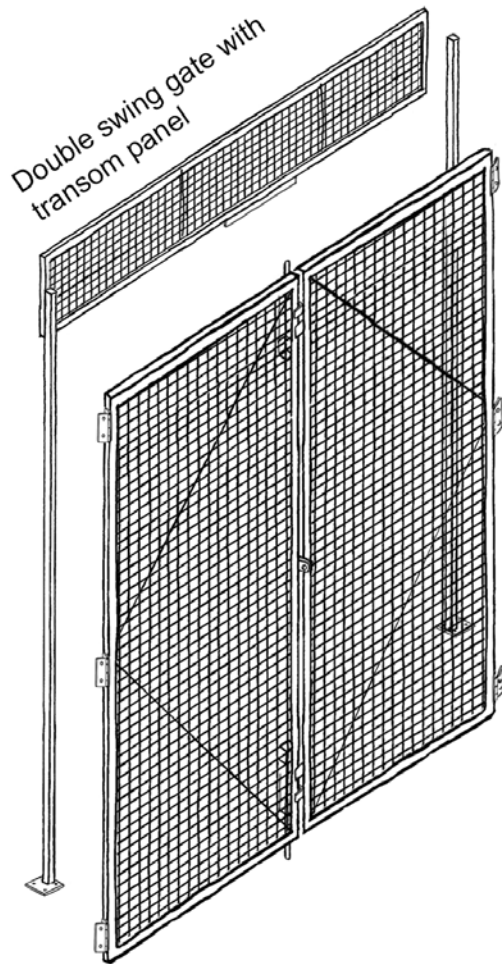


# INSTALLATION MANUAL

For the most current release of this manual,  
please visit our website at [cogan.com](http://cogan.com)

V.2015.2



<b>Product</b>	Safegarde® Partition Gate
<b>Sub-product</b>	Double swing gate

- Equipped with a padlock hasp, chain bolt and cane bolt.
- Can be installed in 2 different orientation, refer to installation drawings for specific opening side.



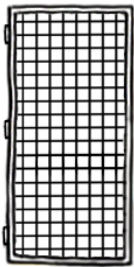
A Tradition of Quality Since 1901

[cogan.com](http://cogan.com)

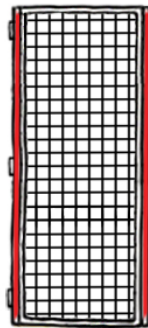
## TYPICAL DOOR MODELS

Please refer this manual to the standard door, unless specified.

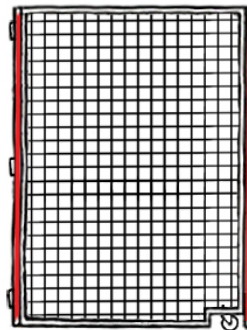
STANDARD



OVERSIZED  
TYP#1

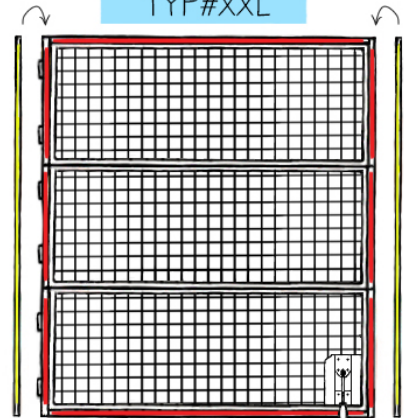


OVERSIZED  
TYP#2



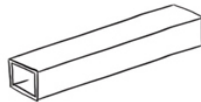
Caster

OVERSIZED  
TYP#XXL

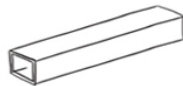


Spring loaded  
caster

1 1/2" x 1 1/2" tube



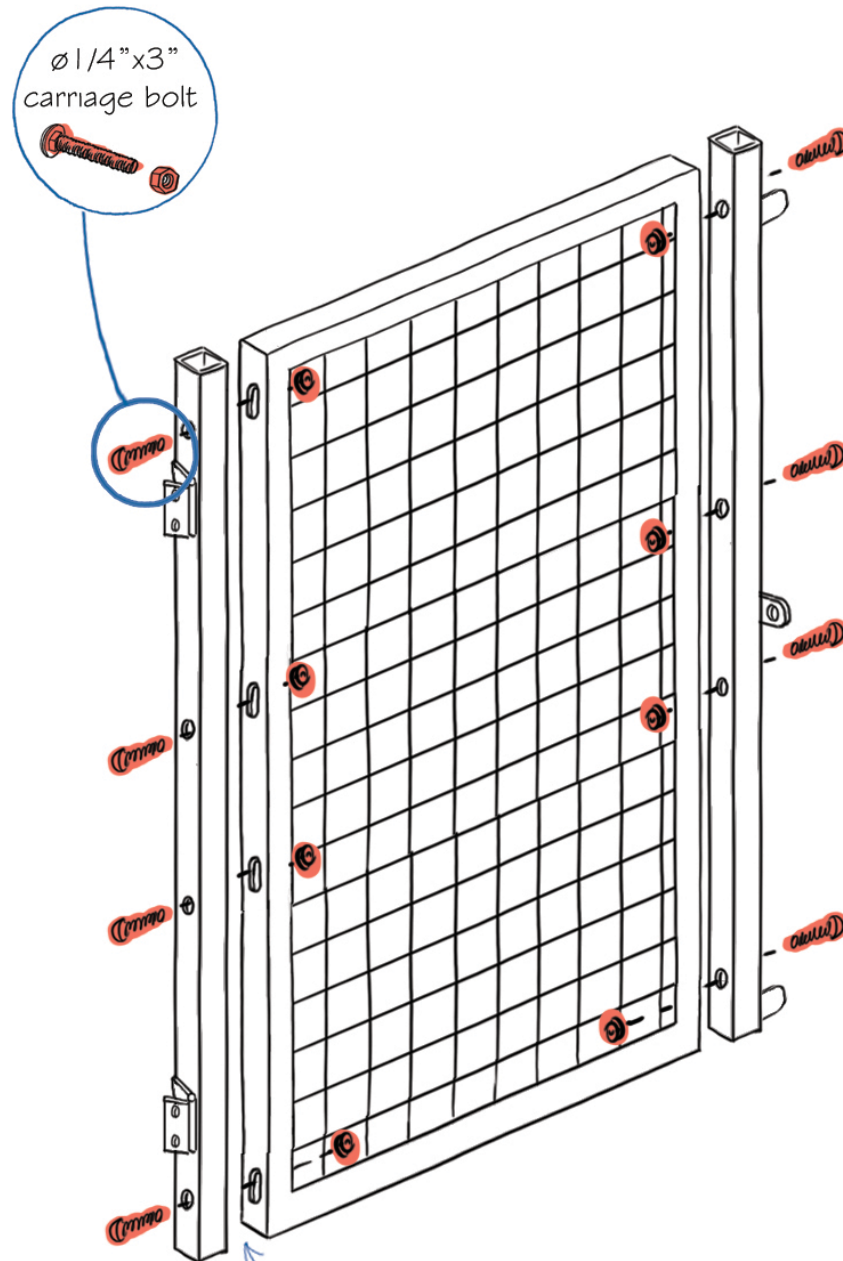
1 1/4" x 1 1/4" tube



H \ W	5'-0"	6'-0"	8'-0"	9'-0"	10'-0"	12'-0"	14'-0"	16'-0"	18'-0"	20'-0"
7'-0"	✓	✓	✓	✓	✓	✓	✓	✓	✓	✓
8'-0"	✓	✓	✓	✓	✓	✓	✓	✓	✓	✓
9'-0"	✓	✓	✓	✓	✓	✓	✓	✓	✓	✓
10'-0"	✓	✓	✓	✓	✓	✓	✓	✓	✓	✓
11'-0"	✓	✓	✓	✓	✓	✓	✓	✓	✓	✓
12'-0"	✓	✓	✓	✓	✓	✓	✓	✓	✓	✓
13'-0"	—	—	—	—	—	✓	✓	✓	✓	✓
14'-0"	—	—	—	—	—	✓	✓	✓	✓	✓
15'-0"	—	—	—	—	—	✓	✓	✓	✓	✓

## TYPICAL CONNECTION / ASSEMBLY DETAIL FOR OVERSIZED TYP#1 AND OVERSIZE TYP#2

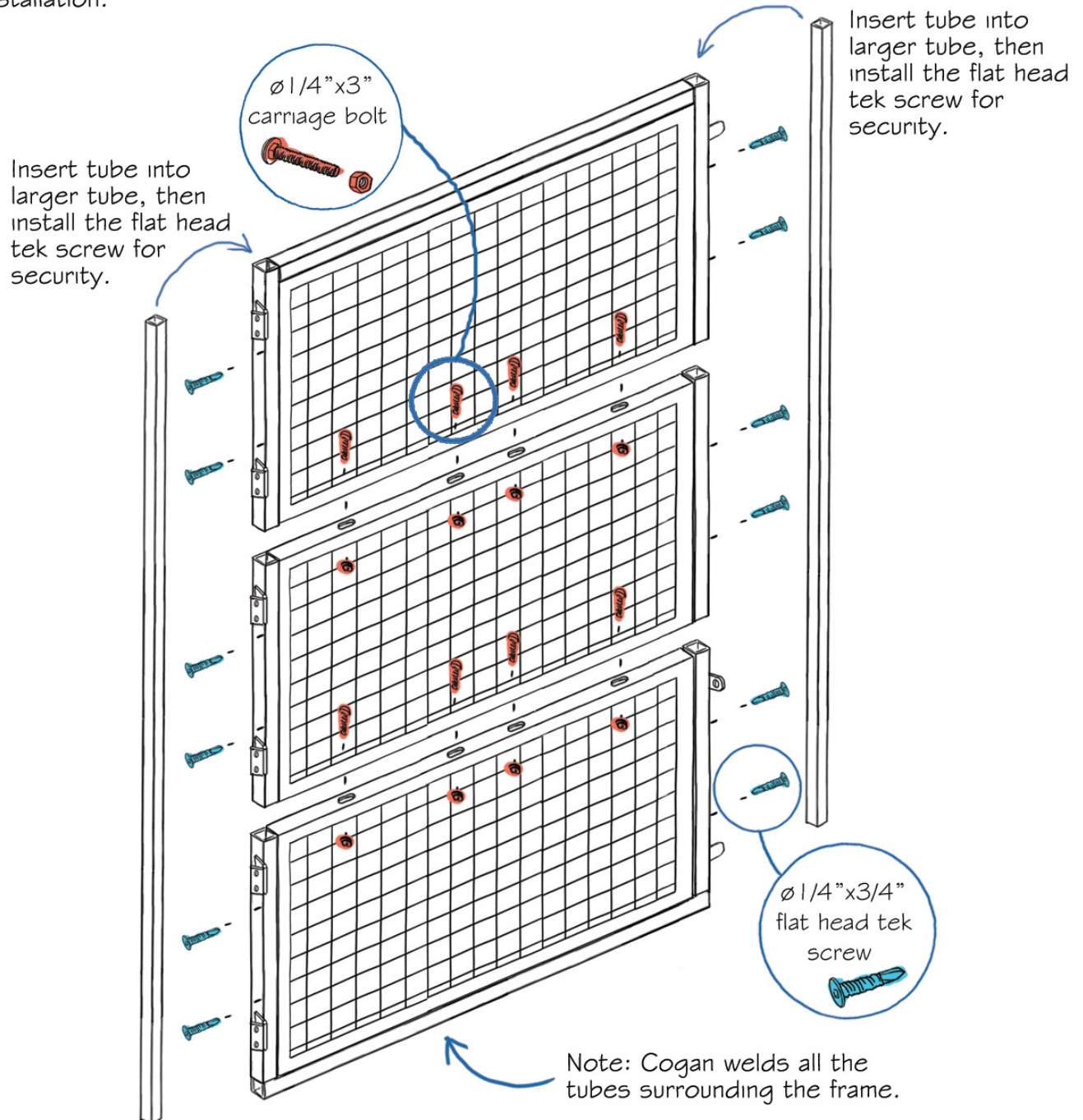
Please refer to the illustrations below for the assembly of your gate and the proper hardware to use for each connection. Hinges are factory welded to the post as well as the door stopper and the padlock hasp. However, the door stopper and the padlock hasp will be included separately with tek screws if the client specifies. Install one tube on each side of the door, refer to installation drawings for proper orientation installation.



Note: If door is assembled at Cogan, then the tube is welded to the frame.

## TYPICAL CONNECTION / ASSEMBLY DETAIL FOR OVERSIZED TYP#XXL

Please refer to the illustrations below for the assembly of your gate and the proper hardware to use for each connection. Hinges are factory welded to the post as well as the door stopper and the padlock hasp. However, the door stopper and the padlock hasp will be included separately with tek screws if the client specifies. Install the two smaller tubes into the welded tubes, refer to installation drawings for proper orientation installation.

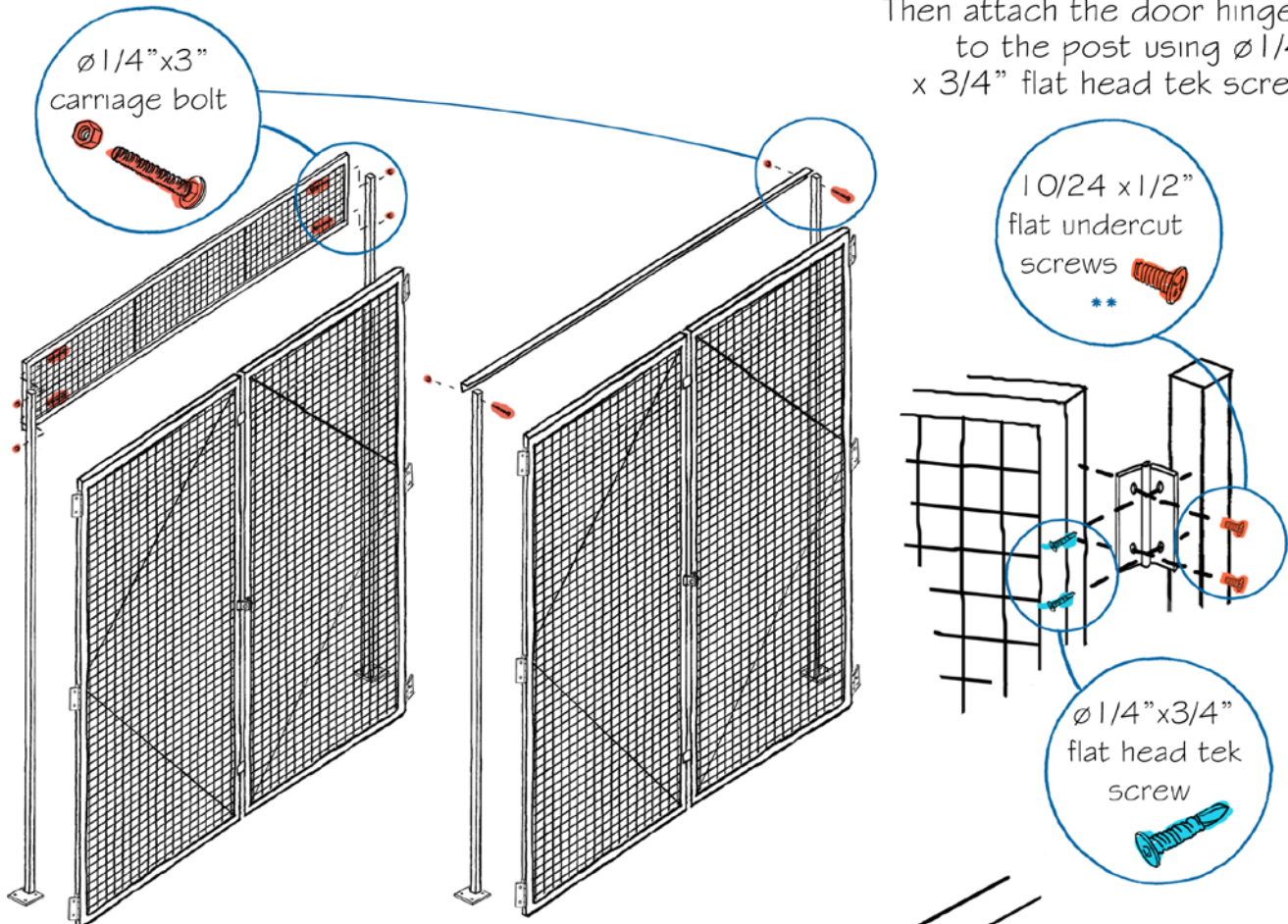


**STEP 1****TRANSOM ANGLE OR TRANSOM PANEL**

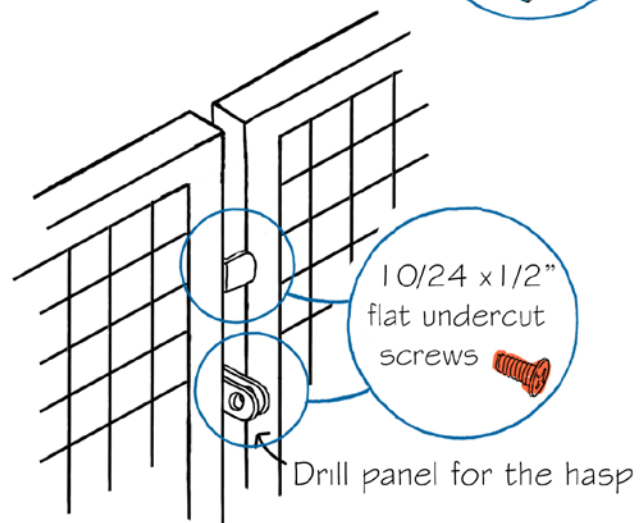
Drill holes in the post and bolt in place using  $\varnothing 1/4"$  x 3" carriage bolt. Install the nut on the inside part of the partition. In the case of a transom panel, make sure to clear the full height of door before bolting into place.

**STEP 2**  
**HINGES**

Screw the hinges to the door frame using 10/24 x 1/2" flat undercut screws. Then attach the door hinges to the post using  $\varnothing 1/4"$  x 3/4" flat head tek screw.

**STEP 3****HASPS AND DOOR STOPPER**

Drill a hole in the door frame for the door stopper and padlock hasp. Cogan will install the hardware if requested by the client.

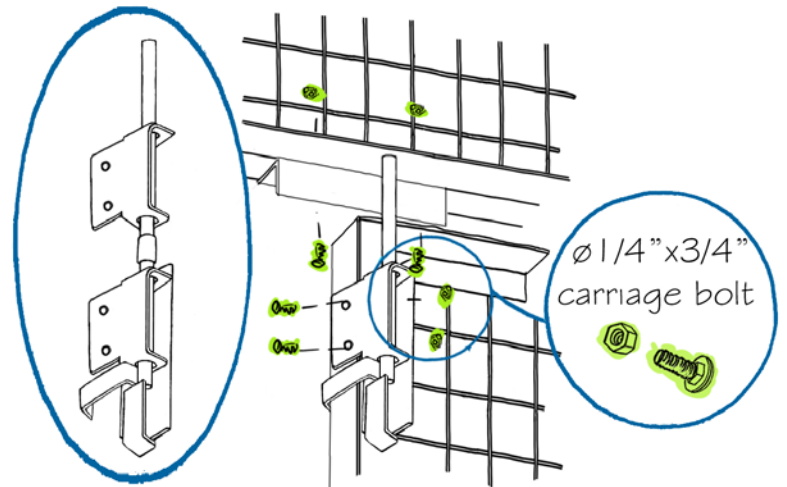


\*\*Cogan installs during manufacturing.

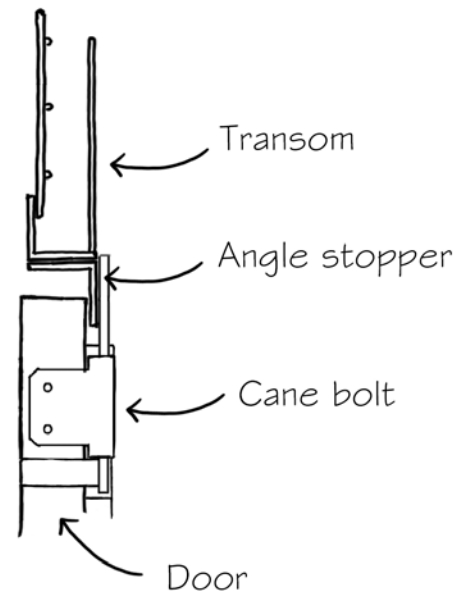
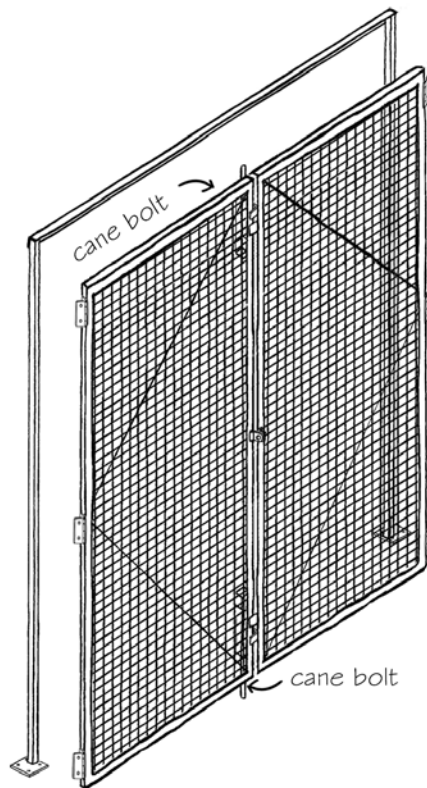
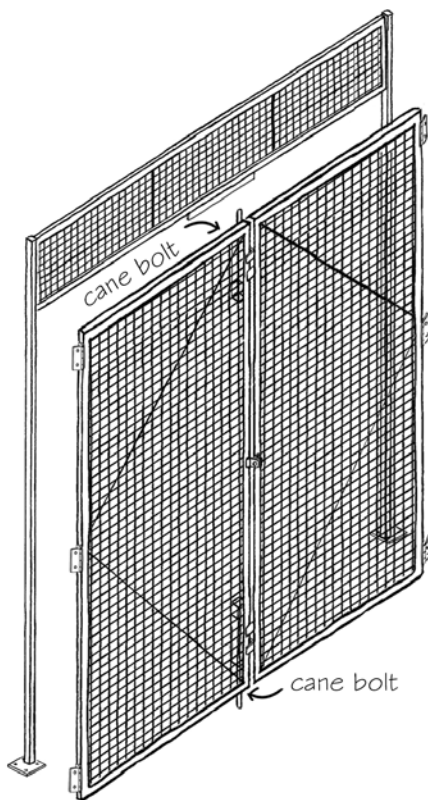
## STEP 4

## CANE BOLT AND ANGLE STOPPER

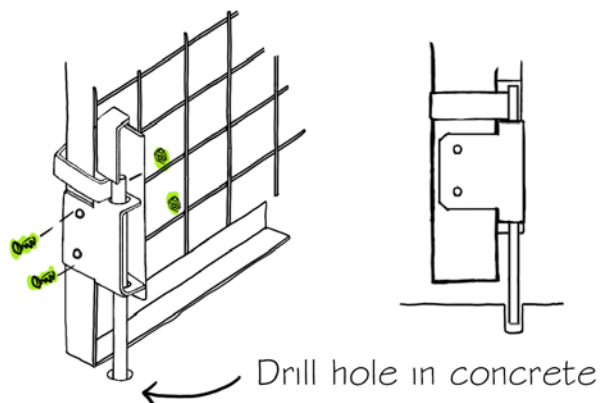
The cane bolt is bolted on the door frame, both top and bottom. When installing the transom panel, a small angle is installed acting as a door stopper and a lock for the cane bolt. Refer to installation drawing to know which drawing is the appropriate one for your application.



Note: Cane bolt with extension is used when the height of the door is more than 8ft.

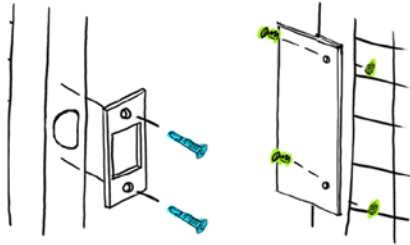


The cane bolt is already assembled and is then bolted or welded by Cogan on the door frame. To finish the installation, drill a  $\phi 5/8$ " hole in concrete to receive the cane bolt.



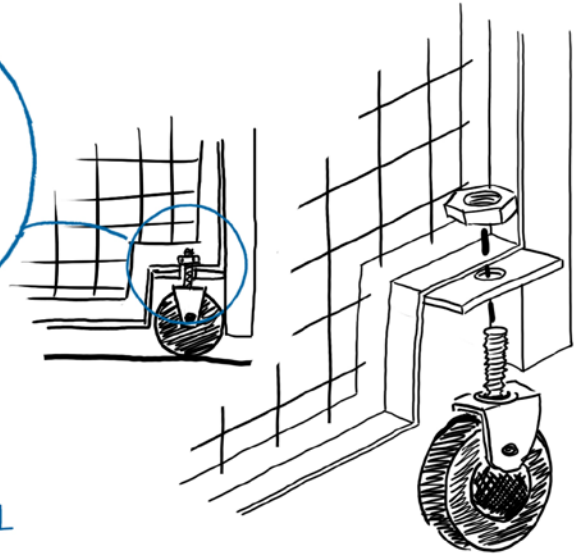
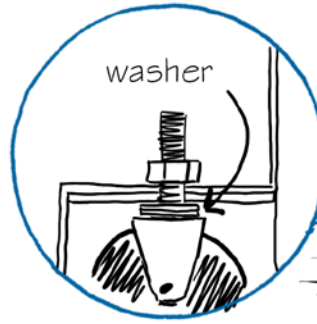
**OPTIONAL:  
CYLINDER LOCKS (HASP REPLACEMENT)**

Key locks are factory assembled on door frame. Simply screw the plate onto the post. Then, attach the protector plate on the door frame or post (see installation drawings).



**OVERSIZE TYP#2:  
CASTER**

Once the door is attached to the partition post, fix the caster to the welded connection plate. When installing the caster, make sure the wheel touches the ground. If there is a gap, insert up to 3 washers to fill in the space.



**OVERSIZE TYP#XXL  
SPRING CASTER**

Once the door is attached to the partition post, fix the caster to the welded connection plate. When installing the spring caster, make sure the wheel touches the ground.

